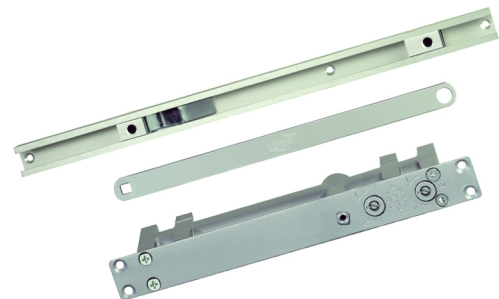




# Door Closer Floor Hinge

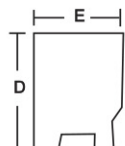
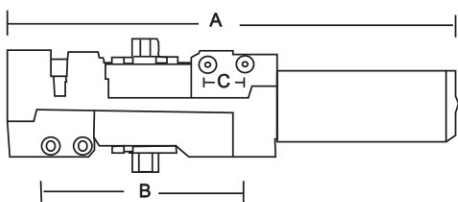


CE Certification



## Mode No.: 1303 Door Closer , ANSI A156.4, GRADE 1

### Specifications:

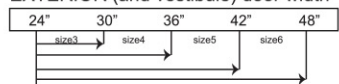


- A. Length of Closer Body 11"
- B. Horizontal Mounting Holes 5"
- C. Vertical Mounting Holes 1"
- D. Width of Closer Body 2 3/4"
- E. Projection from Door 2"



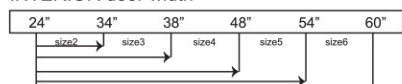
Closing power of 1303 Series closers may be adjusted 50%. Shows recommended range of door width for closer size.

#### EXTERIOR (and vestibule) door width



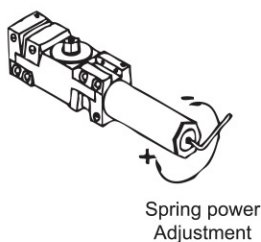
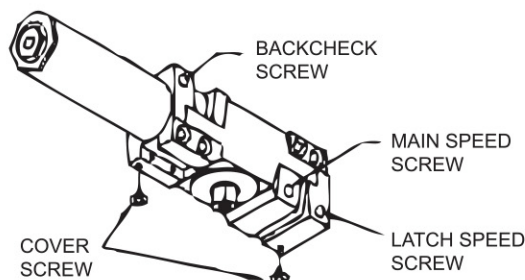
Minimum Door width

#### INTERIOR door width



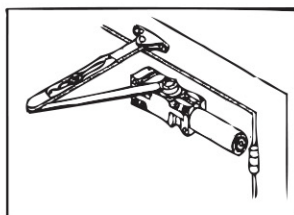
Minimum Door width

Adjustable size 1 thru 6

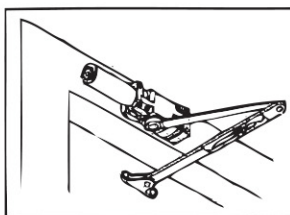


Spring power Adjustment

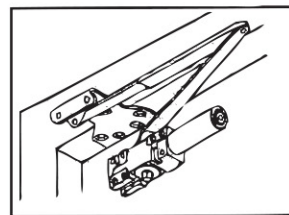
#### STANDARD MOUNT (PULL SIDE)



#### TOP JAMB MOUNT (PUSH SIDE)



#### PARALLEL MOUNT (PUSH SIDE)



### Features:

- Universal application. Non-handed for standard, top-jamb or parallel arm installation
- Non-sized, 1 thru 6. FACTORY PRESET SIZE 3 meets ADA
- Standard adjustable back check function(BA)
- Adjustable closing and latching speed by two separate regulating valves
- Optional adjustable delayed action (DA)
- Preset at the factory for approximately 20 seconds, between 70° and 0°. Delay time easily adjusted up to 1 minute. 1303 DA
- Standard full plastic cover
- Self tapping screws and closer gauge for easy adjustment is standard feature



## Mode No.: 1307 Door Closer

Full Cover Multi-size Full Feature Closer  
ANSI 156.4 Grade 1

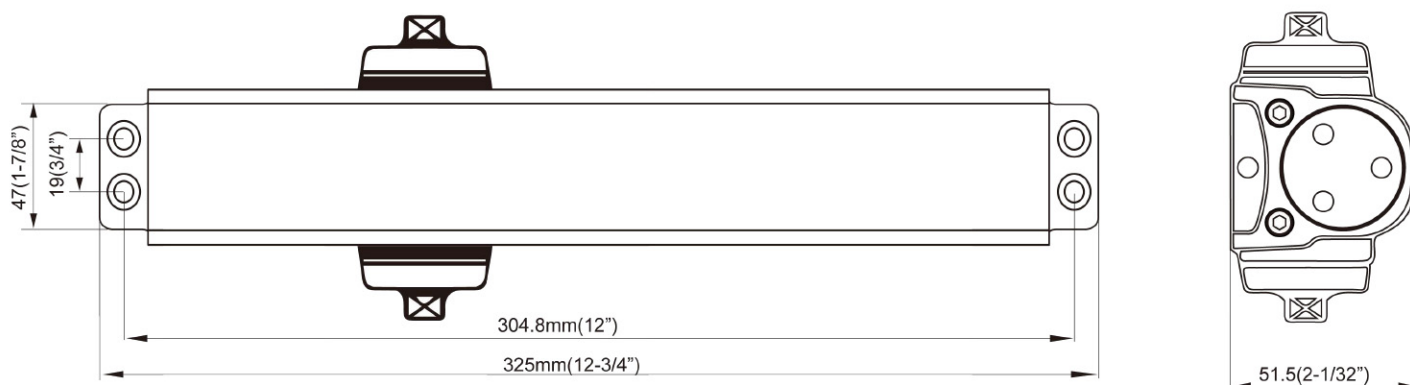


UL Listed Conforms to standards  
UL10C

### Specifications:

#### Description Size

- A. Length of Closer Body **325mm (12-3/4")**
- B. Horizontal Mounting Holes **304.8 mm (12")**
- C. Vertical Mounting Holes **19 mm (3/4")**
- D. Width of Closer Body **47 mm (1-7/8")**
- E. Projection from Door **51.5 mm (2-1/32")**



### Features:

- Universal application. Non-handed for standard, top-jamb or parallel arm installation
- Non-sized, multi size 1 to 6
- Standard adjustable back-check function
- Adjustable closing and latching speed by two separate regulating valves
- Standard full plastic cover
- Extended long arm for top jamb mount with deep reveals. 1307 EXT
- ANSI 156.4 Grade 1: UL listed for fire door assemblies
- Available in Alum, Duro, Black, Gold Finishes
- Optional adjustable delayed action (DA) Preset at the factory for approximately 20 seconds, between 70° and 0° Delay time easily adjusted up to 1 minute.
- Barrier free (BR) Meets ADA regulation. Size 1 thru 4. Engineered with reduced spring power to provide easier opening for handicapped or elderly.



## Mode No.: 1309 Door Closer

Full Cover Multi-size Full Feature Closer  
ANSI 156.4 Grade 1

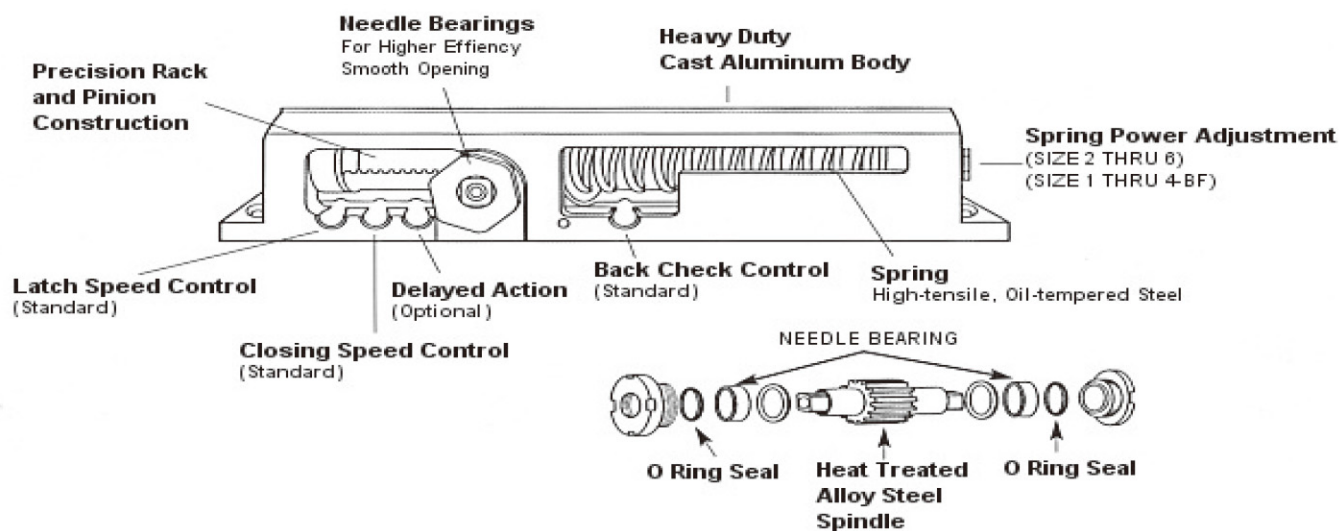
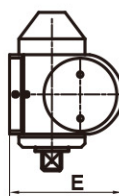
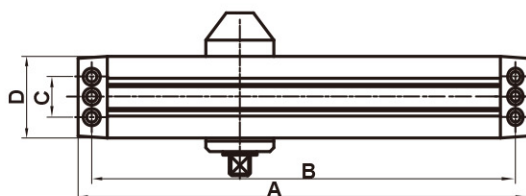


UL Listed Conforms to standards  
UL10C

### Specifications:

#### Description Size

- A. Length of Closer Body 302mm(11-57/64")
- B. Horizontal Mounting Holes 283.5mm(11-1/32")
- C. Vertical Mounting Holes 28.6mm(1-1/8")
- D. Width of Closer Body 51mm(2-1/64")
- E. Projection from Door 61mm(2-13/32")



### Features:

- Universal application. Non-handed for standard, top-jamb or parallel arm installation
- Non-sized, 2 thru 6 and 1 thru 4 FACTORY PRESET SIZE 3
- Standard adjustable back-check function
- Adjustable closing and latching speed by two separate regulating valves
- Standard full plastic cover
- Extended long arm for top jamb mount with deep reveals. 1309 EXT
- ANSI 156.4 Grade 1: UL listed for fire door assemblies
- Available in Alum, US3, US26, US26D, US10A and US5 Finishes
- Optional adjustable delayed action (DA) Preset at the factory for approximately 20 seconds, between 70° and 0° Delay time easily adjusted up to 1 minute.
- Barrier free (BR) Meets ADA regulation. Size 1 thru 4. Engineered with reduced spring power to provide easier opening for handicapped or elderly.

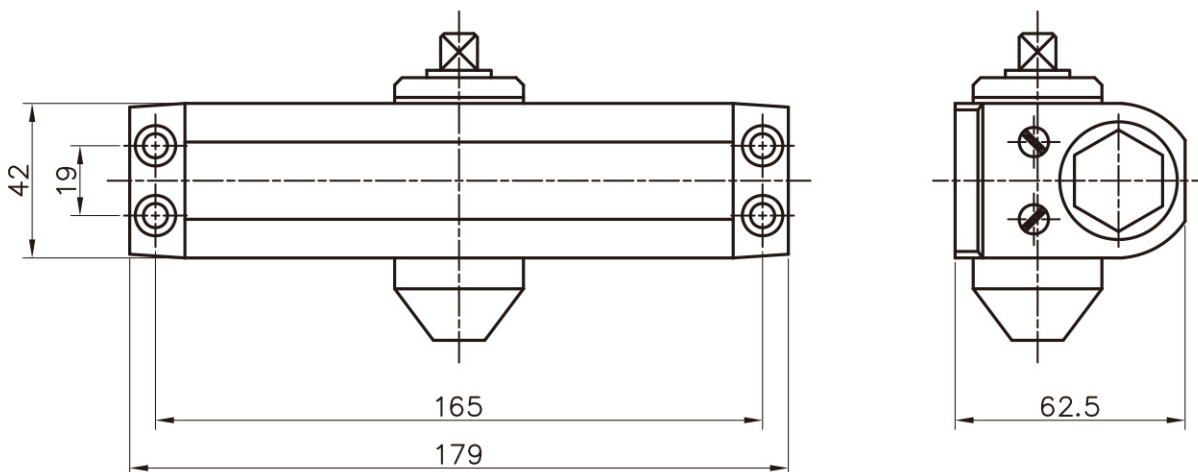


## Mode No.: 2530 Door Closer

- Budget style
- UL listed
- Two Separate valves adjustable closing & latching speed
- Optional Built-in Hold open, or Hold open arm
- Universal Application: Standard  
Optional Top-jamb parallel arm



Body size(mm)	Spring Strength	Max. Door Width(mm)	Suit for Max. Door Weight (kg)
179x42x62.5mm	2~4	950mm	40-65kgs
Back Check Function	Hold Open	Max. Open Angle	Applicable temperature
N/A	Optinal	180°	-30°C~60°C



## Mode No.: 2380 Concealed Door Closer

√=YES	X=NO	O=OPTION	
SPRING STRENGTH	1-4	RACK AND PINION	✓
STANDARD-750MM 35KGS NO.1	2381	NON-HANDED	✓
-850MM 45KGS NO.2	2382	ANGLE OF OPENING	120°
-950MM 60KGS NO.3	2383	POWER ADJUSTABLE BY SPRING	X
-1100MM 80KGS NO.4	2384	POWER ADJUSTABLE BY POSITION	X
-1250MM 110KGS NO.5	X	SWEEPING SPEED ADJUSTMENT	✓
BODY DIMENSIONS(mm)LENGTH	230	LATCHING SPEED ADJUSTMENT	✓
HEIGHT	56	BACK CHECK SELF-REGULATING	O
PROJECTION	30	ADJUSTABLE AT VALUE	X
ARM STANDARD	X	DELAY ACTION	X
PARALLEL ARM BRACET	X	FINISHES SLIVER	✓
SLIDE(W/HOLD OPEN)	✓	COVER STAINLESS STEEL-POLISHING COLOR	X
HOLD OPEN ARM	X	COVER STAINLESS STEEL-STAIN COLOR	X



## Mode No.: 2398 Door Closer



√=YES	X=NO	O=OPTION	
SPRING STRENGTH	1-4	RACK AND PINION	✓
STANDARD-750MM 35KGS NO.1	2398-1	NON-HANDED	✓
-850MM 45KGS NO.2	2398-2	ANGLE OF OPENING	180°
-950MM 60KGS NO.3	2398-3	POWER ADJUSTABLE BY SPRING	X
-1100MM 80KGS NO.4	2398-4	POWER ADJUSTABLE BY POSITION	✓
-1250MM 110KGS NO.5	X	SWEEPING SPEED ADJUSTMENT	✓
BODY DIMENSIONS(mm)LENGTH	207	LATCHING SPEED ADJUSTMENT	✓
HEIGHT	55	BACK CHECK SELF-REGULATING	O
PROJECTION	40	ADJUSTABLE AT VALUE	X
ARM STANDARD	✓	DELAY ACTION	X
PARALLEL ARM BRACET	O	FINISHES SLIVER	✓
SLIDE(W/HOLD OPEN)	O	COVER STAINLESS STEEL-POLISHING COLOR	O
HOLD OPEN ARM	O	COVER STAINLESS STEEL-STAIN COLOR	O

## Mode No.: 3322 Floor Hinge

√=YES	X=NO	O=OPTION	
SPRING STRENGTH	1-3	POWER ADJUSTABLE BY SPRING	X
STANDARD-850MM 70KGS NO.1	3322-1	POWER ADJUSTABLE BY POSITION	X
-950MM 105KGS NO.2	3322-2	SWEEPING SPEED ADJUSTMENT	✓
-1100MM 150KGS NO.3	3322-3	LATCHING SPEED ADJUSTMENT	✓
BODY DIMENSIONS(mm)LENGTH	230	BACK CHECK SELF-REGULATING	X
HEIGHT	56	ADJUSTABLE AT VALUE	X
PROJECTION	30	DELAY ACTION	X
ARM STANDARD	✓	HOLD OPEN WITHOUT HOLD OPEN	✓
OFFSET	O	AT 90° HOLD OPEN	O
NON-HANDED	✓	AT 105° HOLD OPEN	O
ANGLE OF OPENING	120°		



### Mode No.: 3367 Floor Hinge



**HEAVY DUTY LOAD:300KGS**



	√=YES	X=NO	O=OPTION		
SPRING STRENGTH		2-6		ANGLE OF OPENING	180°
STANDARD-850MM 70KGS NO.2		X		POWER ADJUSTABLE BY SPRING	X
-950MM 105KGS NO.3		X		POWER ADJUSTABLE BY POSITION	X
-1100MM 150KGS NO.4		3367		SWEEPING SPEED ADJUSTMENT	√
- 300KGS NO.6		3367H		LATCHING SPEED ADJUSTMENT	√
BODY DIMENSIONS(mm)LENGTH		296		BACK CHECK SELF-REGULATING	X
HEIGHT		96		ADJUSTABLE AT VALUE	O
PROJECTION		48		DELAY ACTION	O
ARM STANDARD		√		HOLD OPEN WITHOUT HOLD OPEN	√
OFFSET		O		AT 90° HOLD OPEN	√
NON-HANDED		√		AT 105° HOLD OPEN	√

### Mode No.: 3368 Floor Hinge

	√=YES	X=NO	O=OPTION		
SPRING STRENGTH		2-4		POWER ADJUSTABLE BY SPRING	X
STANDARD-850MM 70KGS NO.2		3368-2		POWER ADJUSTABLE BY POSITION	X
-950MM 105KGS NO.3		3368-3		SWEEPING SPEED ADJUSTMENT	√
-1100MM 150KGS NO.4		3368-4		LATCHING SPEED ADJUSTMENT	√
BODY DIMENSIONS(mm)LENGTH		306		BACK CHECK SELF-REGULATING	X
HEIGHT		108		ADJUSTABLE AT VALUE	X
PROJECTION		40		DELAY ACTION	X
ARM STANDARD		√		HOLD OPEN WITHOUT HOLD OPEN	√
OFFSET		O		AT 90° HOLD OPEN	O
NON-HANDED		√		AT 105° HOLD OPEN	O
ANGLE OF OPENING		130°			



### Mode No.: 3385 Floor Hinge



	√=YES	X=NO	O=OPTION		
SPRING STRENGTH		2-4		POWER ADJUSTABLE BY SPRING	X
STANDARD-850MM 70KGS NO.2		3385-2		POWER ADJUSTABLE BY POSITION	X
-950MM 105KGS NO.3		3385-3		SWEEPING SPEED ADJUSTMENT	√
-1100MM 150KGS NO.4		3385-4		LATCHING SPEED ADJUSTMENT	√
BODY DIMENSIONS(mm)LENGTH		306		BACK CHECK SELF-REGULATING	X
HEIGHT		108		ADJUSTABLE AT VALUE	X
PROJECTION		40		DELAY ACTION	X
ARM STANDARD		√		HOLD OPEN WITHOUT HOLD OPEN	√
OFFSET		O		AT 90° HOLD OPEN	O
NON-HANDED		√		AT 105° HOLD OPEN	O
ANGLE OF OPENING		130°			



# D3000

## Overhead Adjustable Door Closer

(for commercial use)



Accessibility



500 Thousand Cycles



2 Years Warranty



2 Hours Fire-rated

### FEATURES

<b>Certifications</b>	CE BS EN 1634 2 hours fire rating BS EN 1154 500,000 cycles
<b>Durability</b>	500,000 cycles above
<b>Spring Power</b>	Adjustabl size #3-6
<b>Speed Valves</b>	Adjustabl closing speed Adjustabl latching speed
<b>Backcheck</b>	Yes
<b>Hold Open</b>	Optional
<b>Delayed Action</b>	Optional
<b>Max. Opening</b>	180°
<b>Max. Door Width</b>	1500mm
<b>Max. Door Weight</b>	150KGS
<b>Fitting Application</b>	Fig 1, F61, F66
<b>Arm Type</b>	Standard or flat Sliding track arm (optional)
<b>Mechanism</b>	Rack & pinion
<b>Material of Body</b>	Die-cast aluminum
<b>Finish</b>	Silver, brown, white, black. Others upon request.
<b>Application</b>	Wood, metal, aluminum doors.
<b>Cross Reference</b>	Dorma TS83

### ACCESSORIES

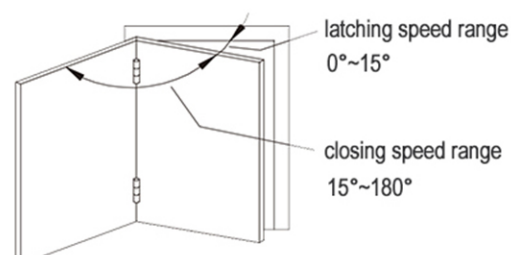
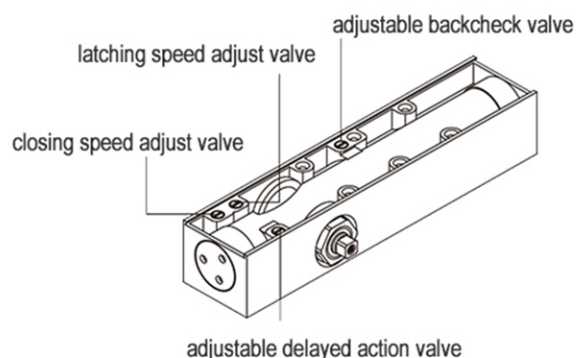


parallel arm bracket



stainless steel cover

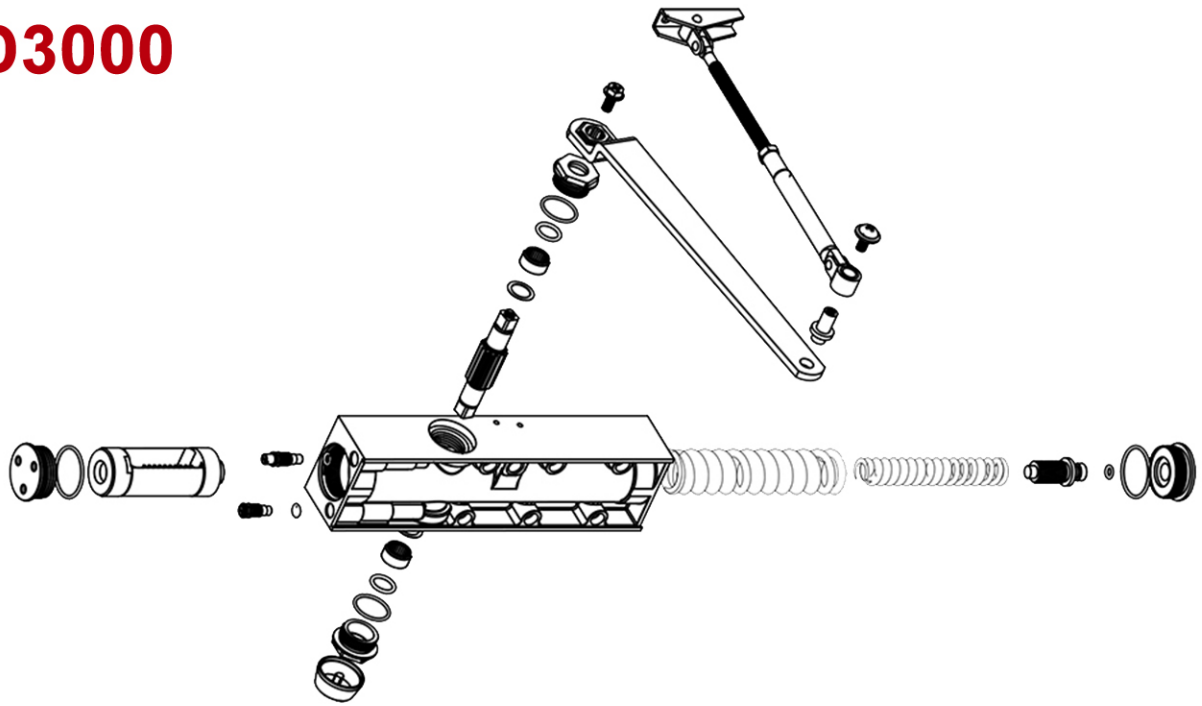
### ADJUSTMENTS



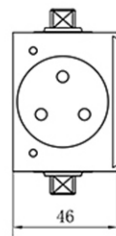
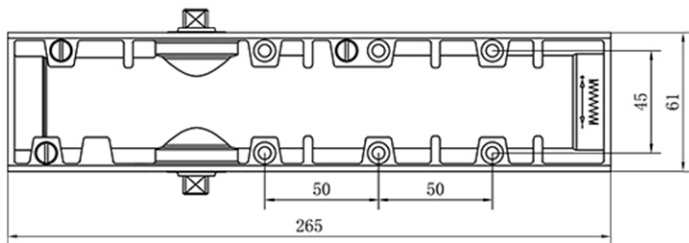




# D3000



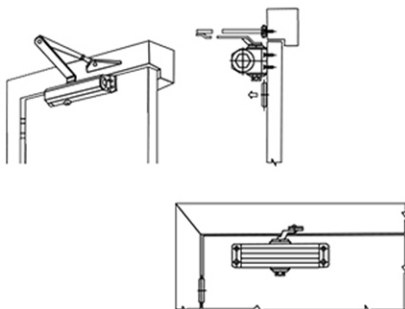
## DIMENSIONS



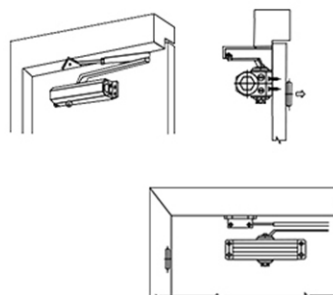
Unit: mm

## INSTALLATION TYPES

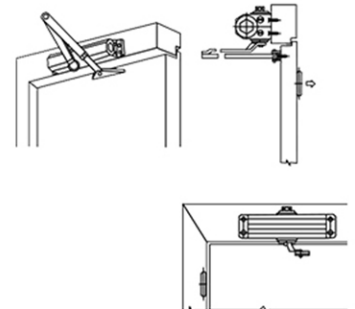
regular arm installation



parallel arm installation



top jam installation





# D2024

## Overhead Adjustable Door Closer

(European style, medium duty.)



Arc shaped



Square shaped



Accessibility



500 Thousand Cycles



2 Years Warranty



2 Hours Fire-rated

### FEATURES

<b>Certifications</b>	CE BS EN 1634 2 hours fire rating BS EN 1154 500,000 cycles
<b>Durability</b>	500,000 cycles above
<b>Spring Power</b>	Fixed EN#4. Adjustable EN#2-4
<b>Speed Valves</b>	Adjustabl closing speed Adjustabl latching speed
<b>Backcheck</b>	Optional
<b>Hold Open</b>	Optional
<b>Delayed Action</b>	No
<b>Max. Opening</b>	180°
<b>Max. Door Width</b>	1100mm
<b>Max. Door Weight</b>	85KGS
<b>Fitting Application</b>	Fig 1, F61, F66
<b>Arm Type</b>	Standard or flat Sliding track arm (optional)
<b>Mechanism</b>	Rack & pinion
<b>Material of Body</b>	Die-cast aluminum, steel arm.
<b>Finish</b>	Silver, brown, white, black. Others upon request.
<b>Application</b>	Wood, metal doors.

### ACCESSORIES



parallel arm bracket

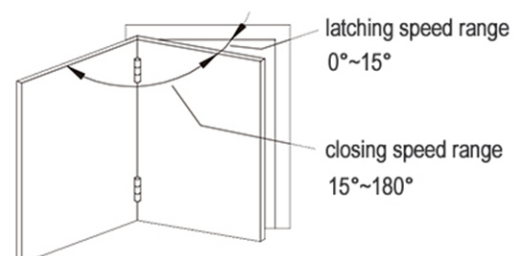
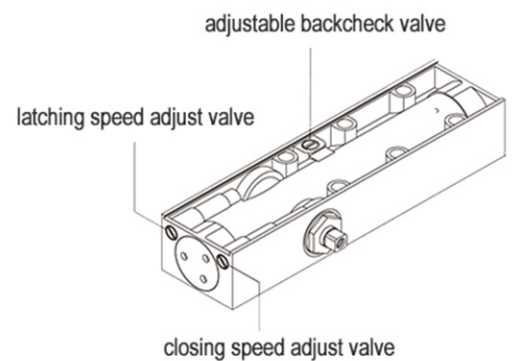


hold open arm

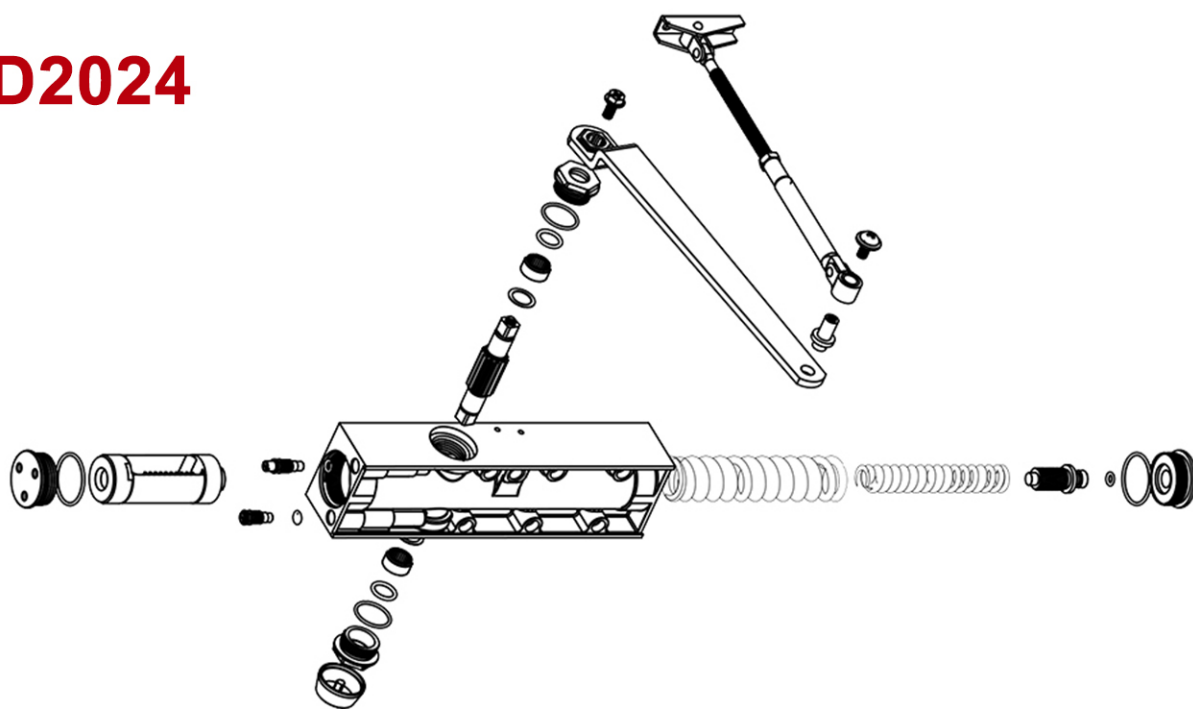


stainless steel cover

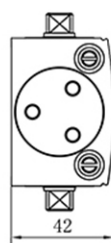
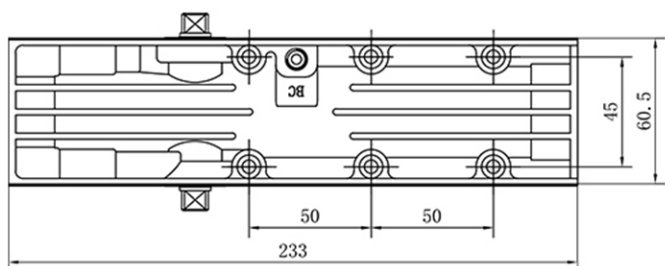
### ADJUSTMENTS



# D2024



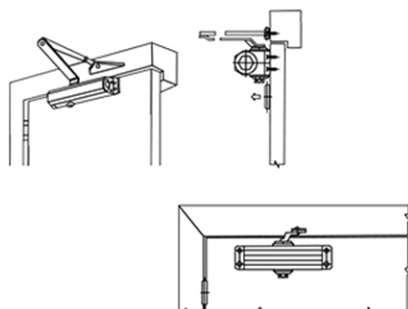
## DIMENSIONS



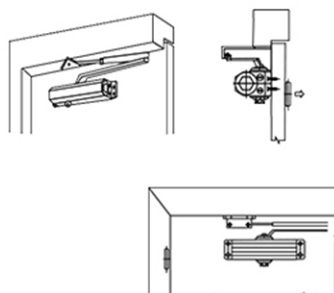
Unit: mm

## INSTALLATION TYPES

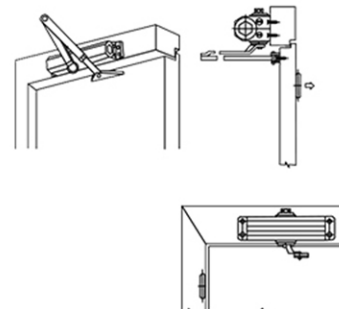
regular arm installation



parallel arm installation



top jam installation





# D903

## Overhead Adjustable Door Closer

(European style)



Accessibility



500 Thousand Cycles



2 Years Warranty



2 Hours Fire-rated

### FEATURES

<b>Certifications</b>	CE BS EN 1634 2 hours fire rating BS EN 1154 500,000 cycles
<b>Durability</b>	500,000 cycles above
<b>Spring Power</b>	EN#3
<b>Speed Valves</b>	Adjustabl closing speed Adjustabl latching speed
<b>Backcheck</b>	No
<b>Hold Open</b>	Optional
<b>Delayed Action</b>	No
<b>Max. Opening</b>	180°
<b>Max. Door Width</b>	850mm
<b>Max. Door Weight</b>	45KGS
<b>Arm Type</b>	Steel arm. Sliding track arm (optional)
<b>Mechanism</b>	Rack & pinion
<b>Material of Body</b>	Die-cast aluminum
<b>Finish</b>	Silver, brown, white, black. Others upon request.
<b>Application</b>	Wood, metal, fire rated doors.

### ACCESSORIES

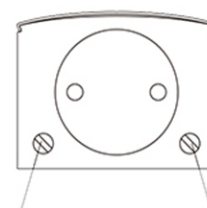


parallel arm bracket



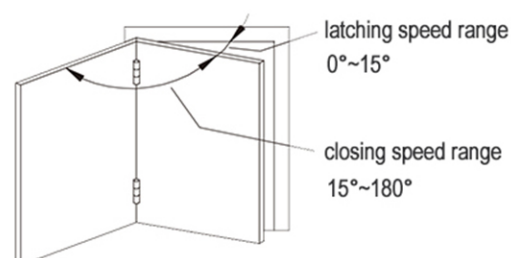
hold open arm

### ADJUSTMENTS



latching speed adjust valve

closing speed adjust valve

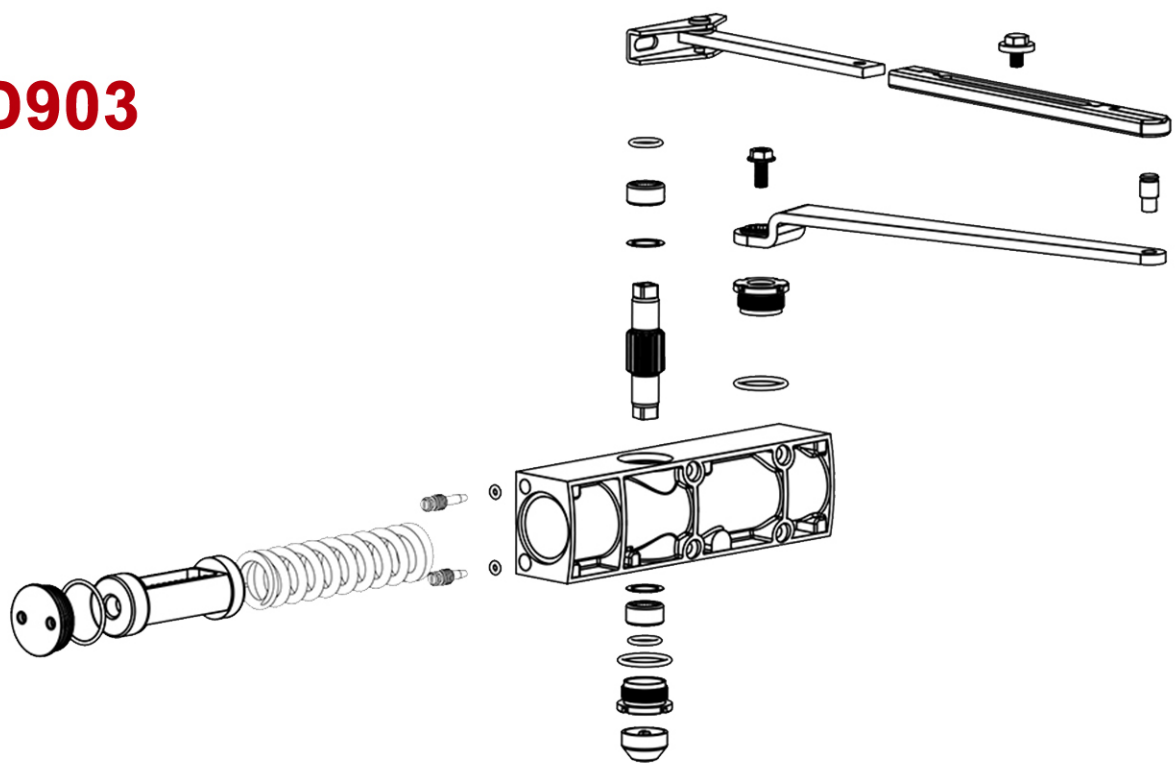


latching speed range  
0°~15°

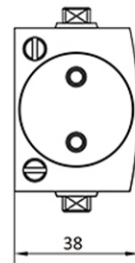
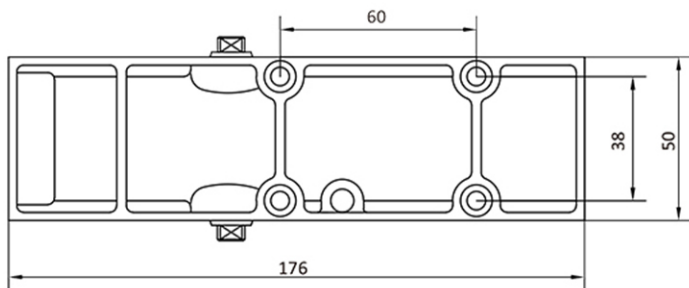
closing speed range  
15°~180°



# D903



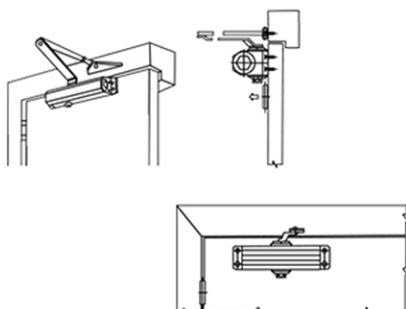
## DIMENSIONS



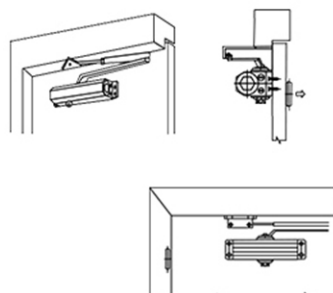
Unit: mm

## INSTALLATION TYPES

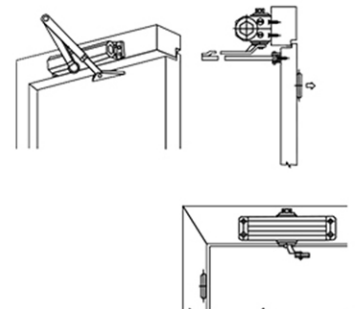
regular arm installation



parallel arm installation



top jam installation





## D803

### Overhead Door Closer

(Economic model)

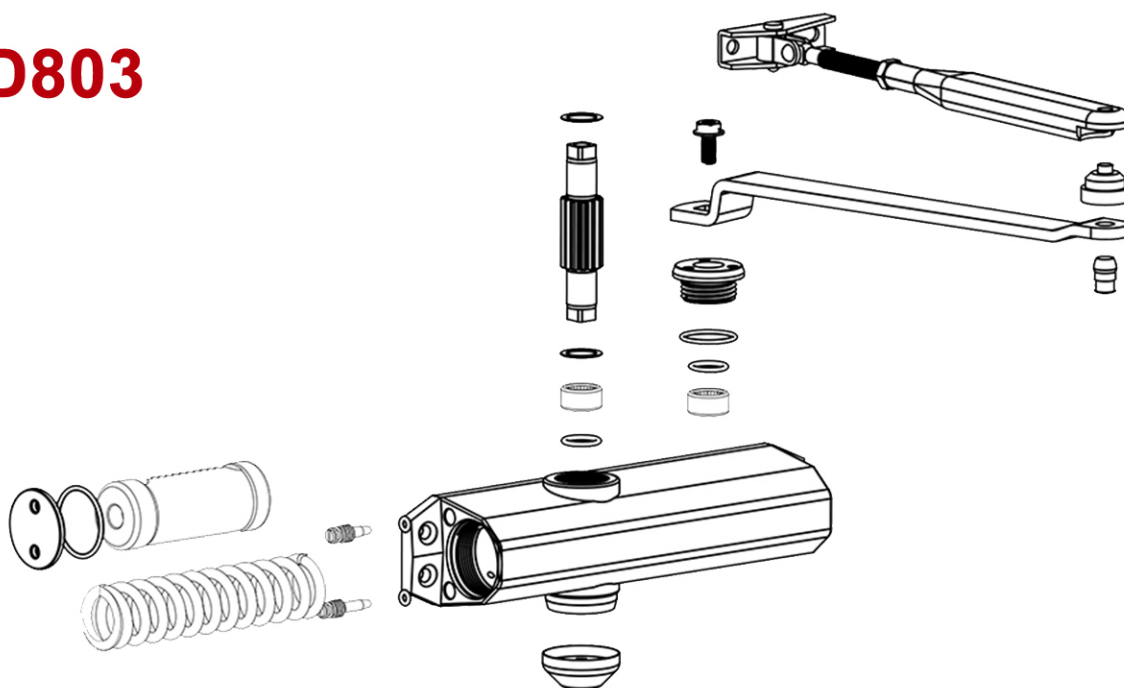


## FEATURES

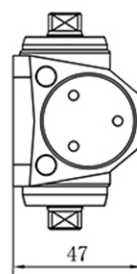
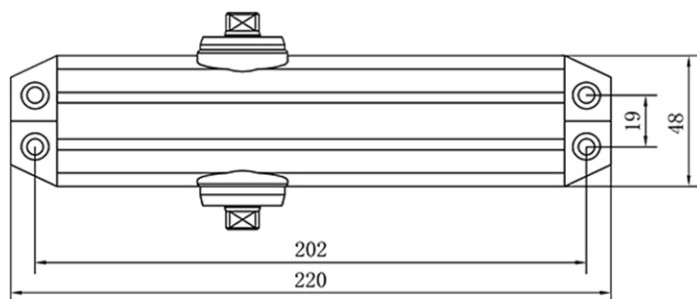
<b>Certifications</b>	CE BS EN 1634 2 hours fire rating BS EN 1154 500,000 cycles
<b>Durability</b>	500,000 cycles above
<b>Spring Power</b>	Fixed EN#2, #3, #4
<b>Speed Valves</b>	Adjustabl closing speed Adjustabl latching speed
<b>Backcheck</b>	Optional
<b>Hold Open</b>	Optional
<b>Delayed Action</b>	No
<b>Max. Opening</b>	180°
<b>Max. Door Width</b>	size #2/3/4: 850/950/1100mm
<b>Max. Door Weight</b>	size #2/3/4: 45/65/85KGS
<b>Fitting Application</b>	Fig 1, F61, F66
<b>Arm Type</b>	Fixed
<b>Mechanism</b>	Rack & pinion
<b>Material of Body</b>	Die-cast aluminum
<b>Finish</b>	Silver, brown, white, black. Others upon request.
<b>Application Temperature</b>	-40°C to 60°C
<b>Cross Reference</b>	Dorma TS68



# D803



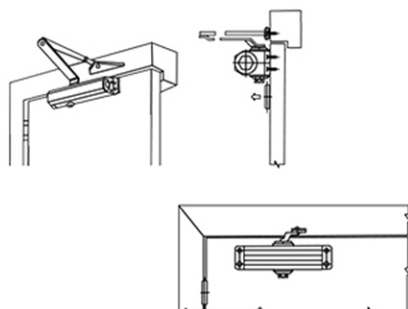
## DIMENSIONS



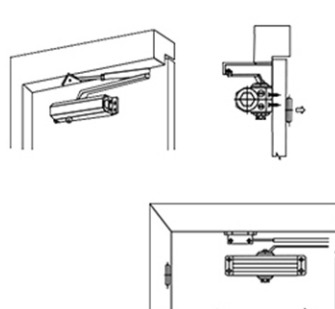
Unit: mm

## INSTALLATION TYPES

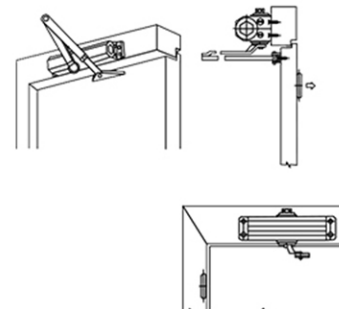
regular arm installation



parallel arm installation



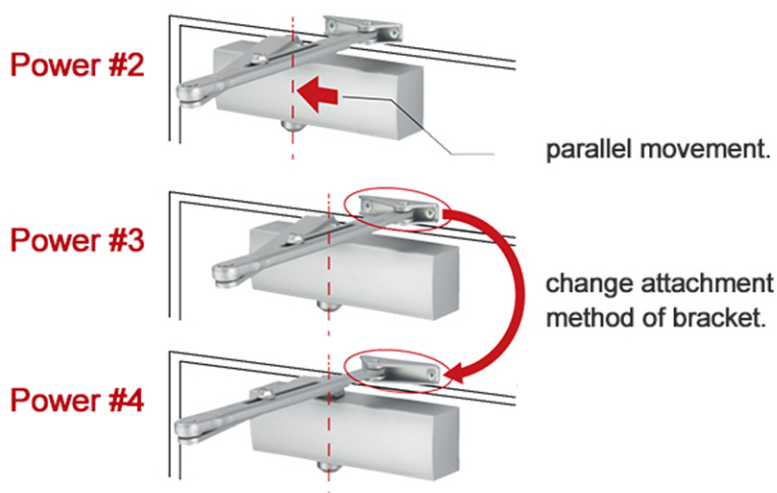
top jam installation



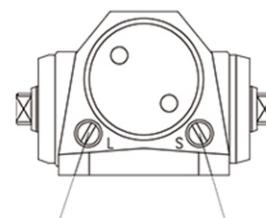
## POWER ADJUSTMENT

Power Size	#2	#3	#4
Max. Door Weight	25-45KGS	40-65KGS	60-85KGS
Max. Door Width	850mm	950mm	1100mm

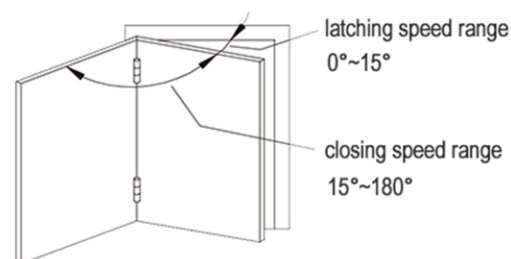
Power size adjusted by mounting position.



## ADJUSTMENTS



latching speed adjust valve      closing speed adjust valve



## ACCESSORIES



plastic cover



parallel arm bracket



drop plate



hold open arm



hold open arm



hold open arm





## D503

### Overhead Door Closer

(Light, medium duty economic model.)



Standard Arm



Dorma Arm



Accessibility



500 Thousand Cycles



UL Certification



2 Years Warranty



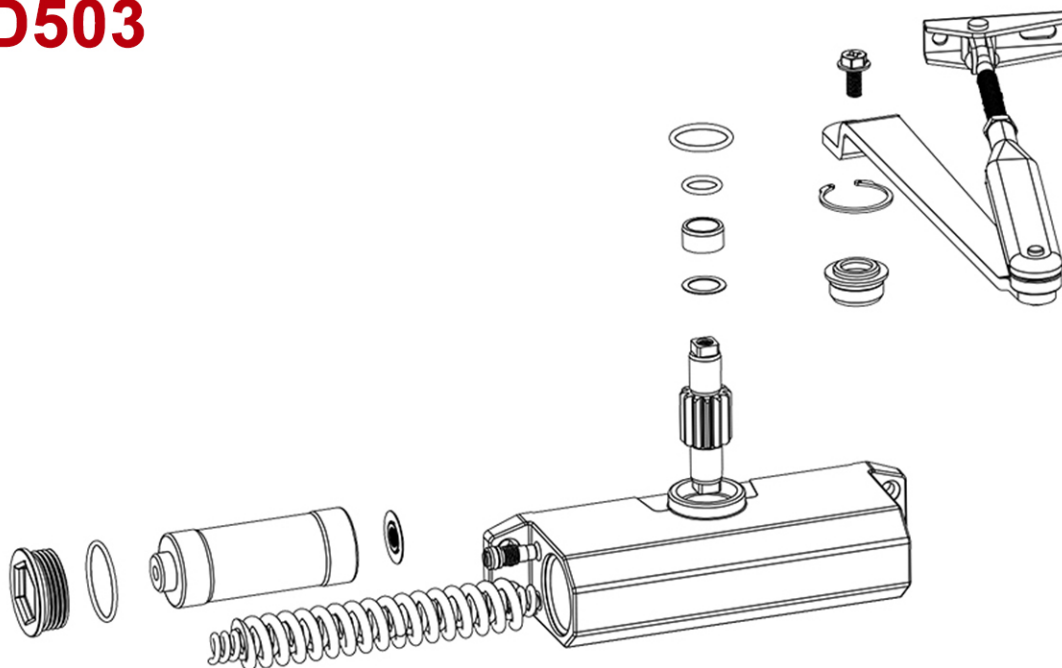
2 Hours Fire-rated

## FEATURES

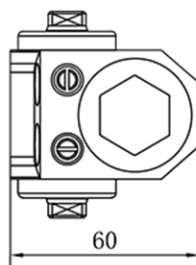
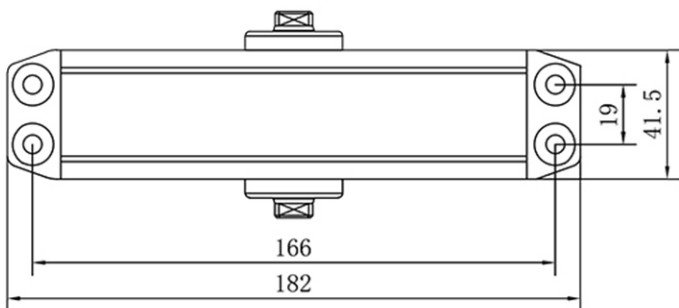
<b>Certifications</b>	CE, UL BS EN 1634 2 hours fire rating BS EN 1154 500,000 cycles
<b>Durability</b>	500,000 cycles above
<b>Spring Power</b>	Fixed EN#2, #3, #4
<b>Speed Valves</b>	Adjustabl closing speed Adjustabl latching speed
<b>Backcheck</b>	No
<b>Hold Open</b>	Optional
<b>Delayed Action</b>	No
<b>Max. Opening</b>	180°
<b>Max. Door Width</b>	size #2/3/4: 850/950/1100mm
<b>Max. Door Weight</b>	size #2/3/4: 45/65/85KGS
<b>Fitting Application</b>	Fig 1, F61, F66
<b>Arm Type</b>	Fixed
<b>Mechanism</b>	Rack & pinion
<b>Material of Body</b>	Die-cast aluminum
<b>Finish</b>	Silver, brown, white, black. Others upon request.
<b>Cross Reference</b>	Dorma TS77



# D503



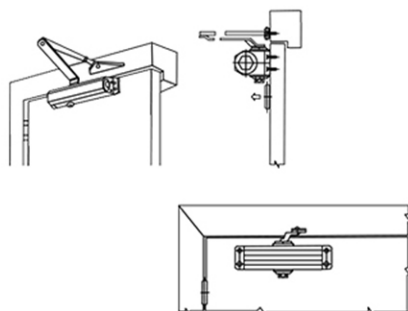
## DIMENSIONS



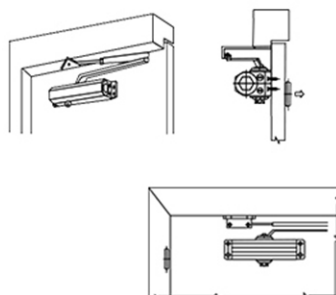
Unit: mm

## INSTALLATION TYPES

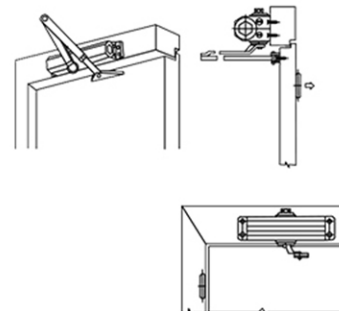
regular arm installation



parallel arm installation



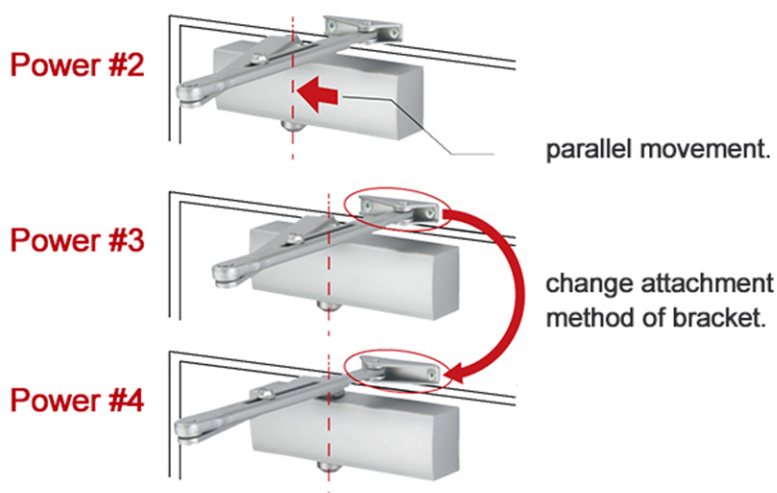
top jam installation



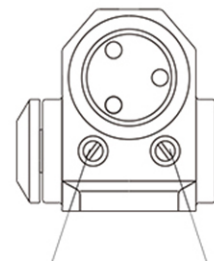
## POWER ADJUSTMENT

Power Size	#2	#3	#4
Max. Door Weight	25-45KGS	40-65KGS	60-85KGS
Max. Door Width	850mm	950mm	1100mm

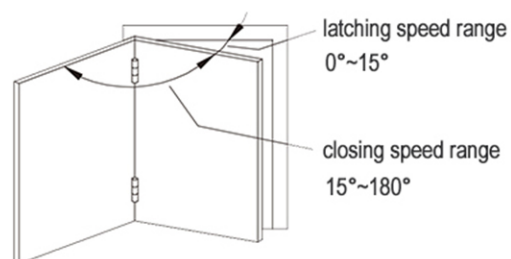
Power size adjusted by mounting position.



## ADJUSTMENTS



latching speed adjust valve      closing speed adjust valve



## ACCESSORIES



plastic cover



parallel arm bracket



standard arm



hold open arm



hold open arm



hold open arm



# D3000H

## Overhead Adjustable

## Door Closer

(for commercial use)



Accessibility



500 Thousand Cycles

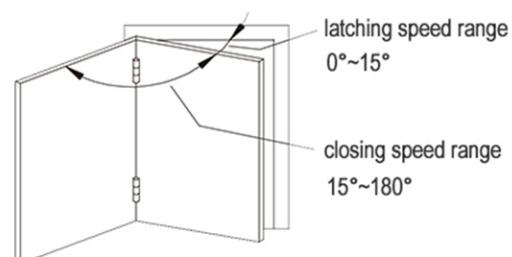
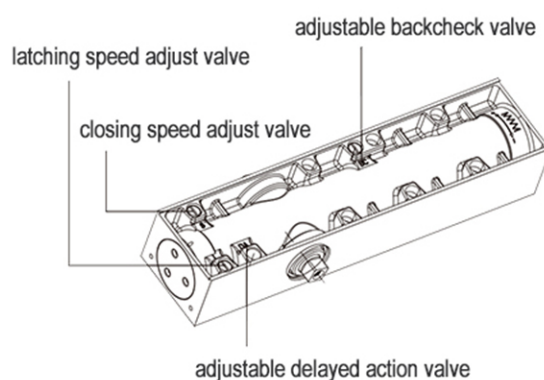


2 Hours Fire-rated

### FEATURES

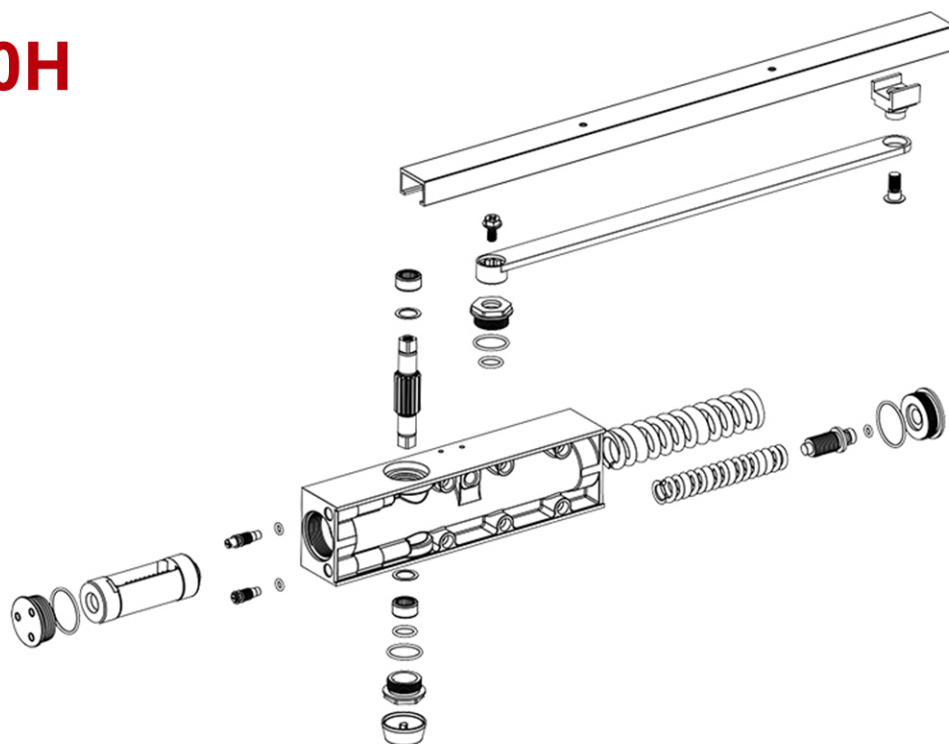
<b>Certifications</b>	CE BS EN 1634 2 hours fire rating BS EN 1154 500,000 cycles
<b>Durability</b>	500,000 cycles above
<b>Spring Power</b>	Adjustabl size #3-6
<b>Speed Valves</b>	Adjustabl closing speed Adjustabl latching speed
<b>Backcheck</b>	Optional
<b>Delayed Action</b>	Optional
<b>Max. Opening</b>	180°
<b>Max. Door Width</b>	1100mm
<b>Max. Door Weight</b>	85KGS
<b>Arm Type</b>	Sliding track arm
<b>Mechanism</b>	Rack & pinion
<b>Material of Body</b>	Die-cast aluminum
<b>Finish</b>	Silver, brown, white, black. Others upon request.
<b>Application</b>	Interior wood, metal, aluminum doors.

### ADJUSTMENTS

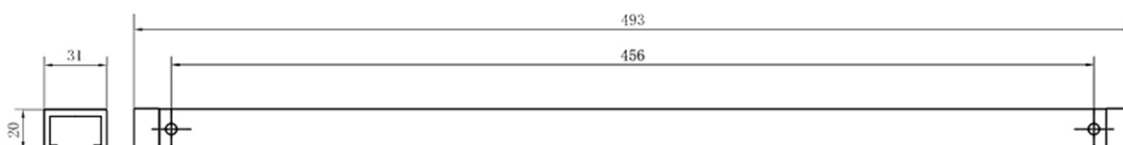
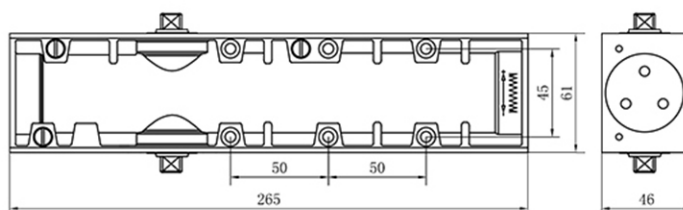




# D3000H



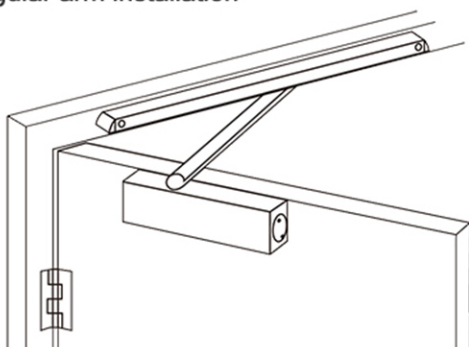
## DIMENSIONS



Unit: mm

## INSTALLATION TYPE

regular arm installation





## D2000H

### Overhead Door Closer

(for commercial use)



Accessibility



500 Thousand Cycles



2 Years Warranty

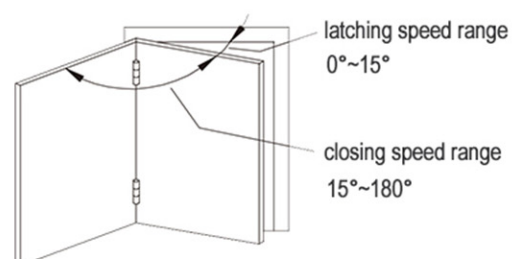
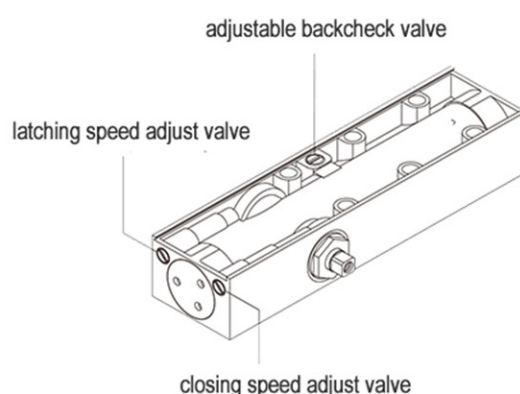


2 Hours Fire-rated

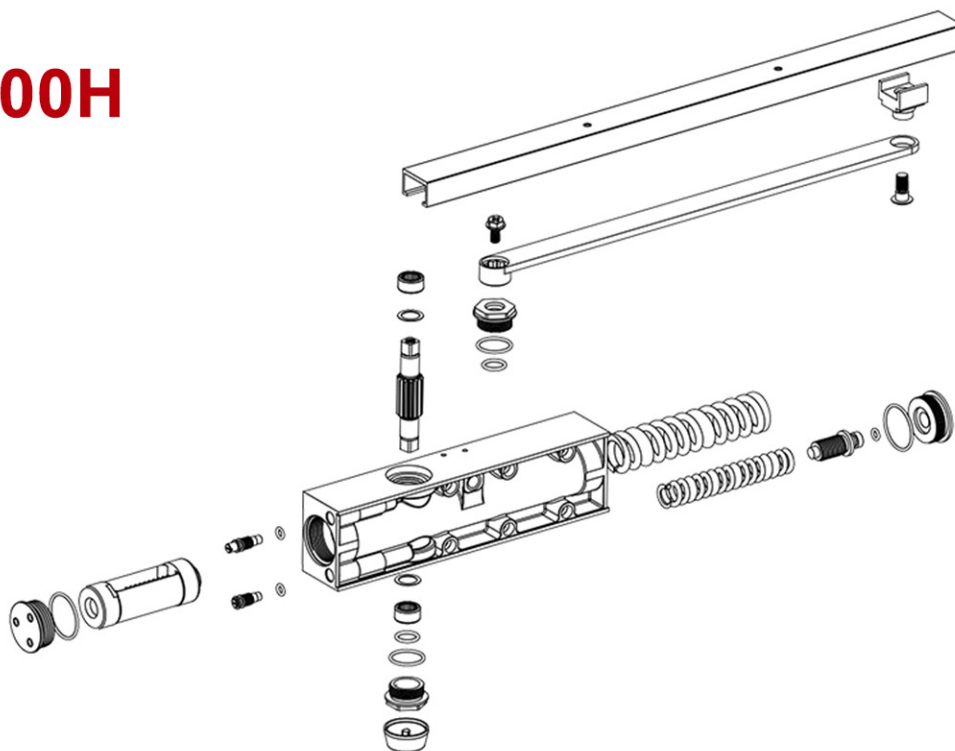
## FEATURES

<b>Certifications</b>	CE BS EN 1634 2 hours fire rating BS EN 1154 500,000 cycles
<b>Durability</b>	500,000 cycles above
<b>Spring Power</b>	Fixed EN#5.
<b>Speed Valves</b>	Adjustabl closing speed Adjustabl latching speed
<b>Backcheck</b>	Optional
<b>Hold Open</b>	Optional
<b>Delayed Action</b>	No
<b>Max. Opening</b>	180°
<b>Max. Door Width</b>	950mm
<b>Max. Door Weight</b>	65KGS
<b>Arm Type</b>	Sliding track arm
<b>Mechanism</b>	Rack & pinion
<b>Material of Body</b>	Die-cast aluminum
<b>Finish</b>	Silver, brown, white, black. Others upon request.
<b>Application</b>	Wood, metal, fire rated doors.

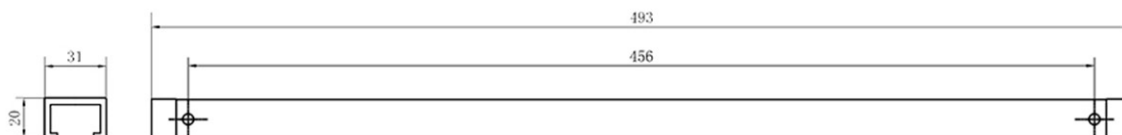
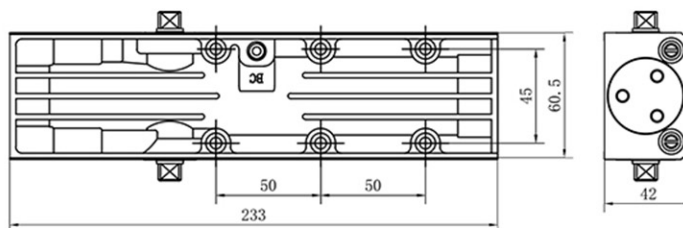
## ADJUSTMENTS



# D2000H



## DIMENSIONS



Unit: mm

## INSTALLATION TYPE

regular arm installation

